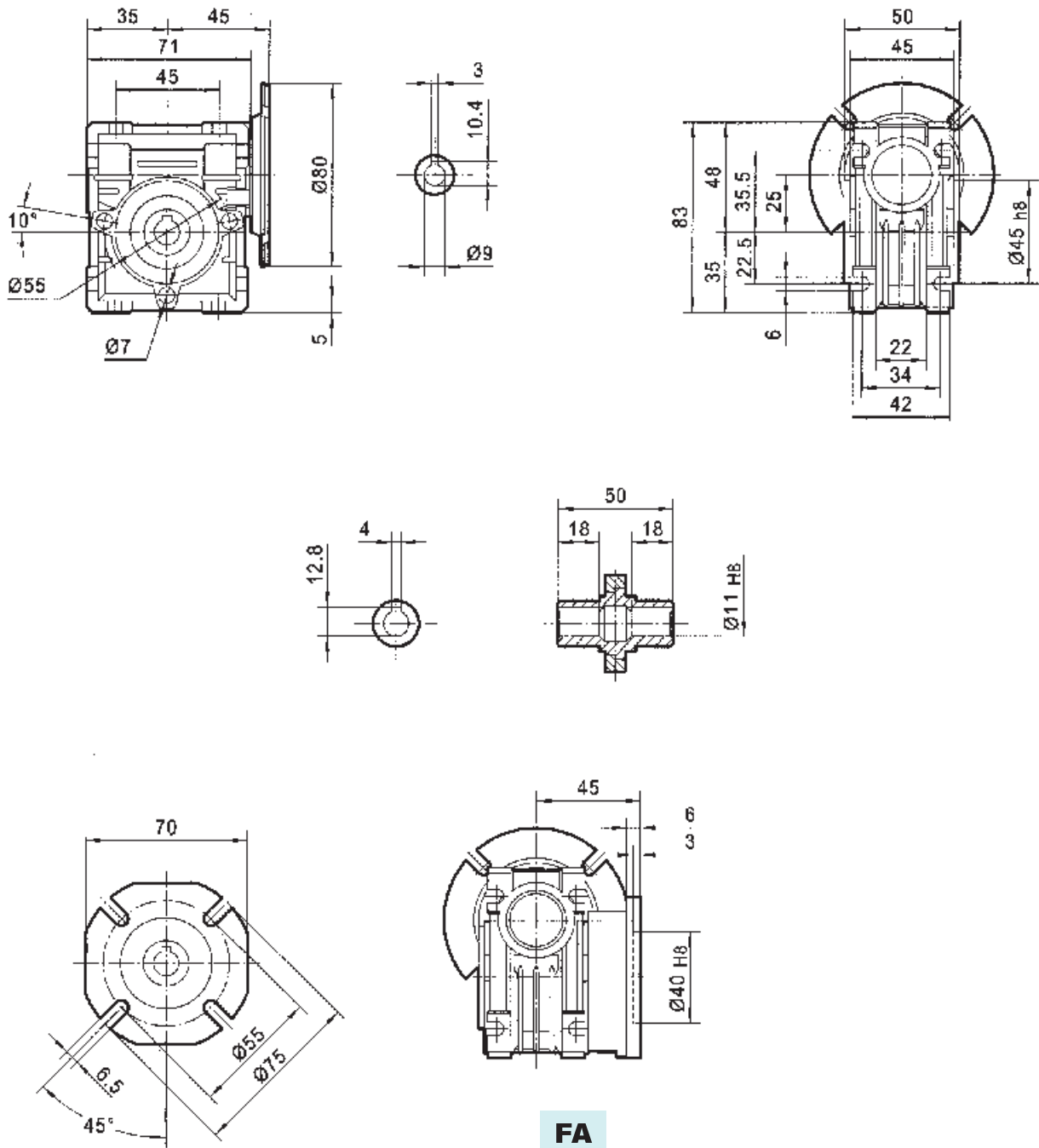


**AL- Series worm gearboxes**  
**ALM- Series motorised worm gearboxes**



## ALM - WORM GEAR UNITS - ALM025

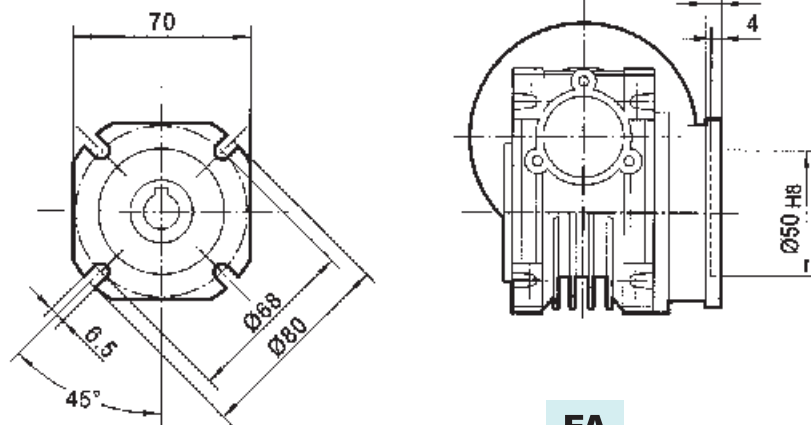
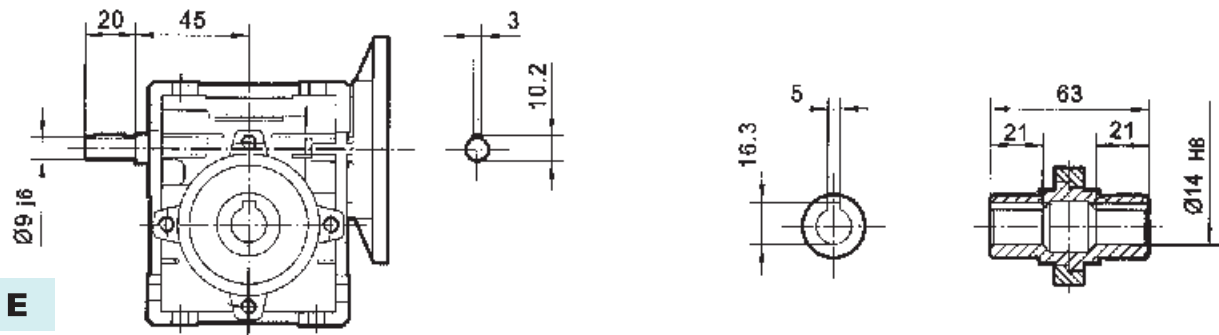
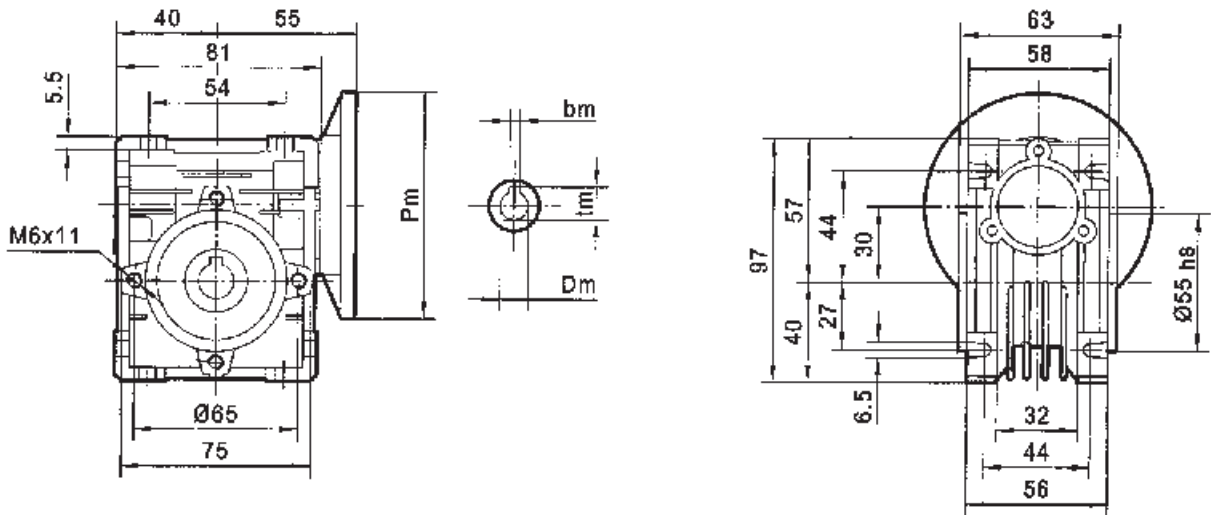


**FA**

Weight without motor  $\approx 0.7$  kg

# OUTLINE DIMENSION SHEET

## ALM030

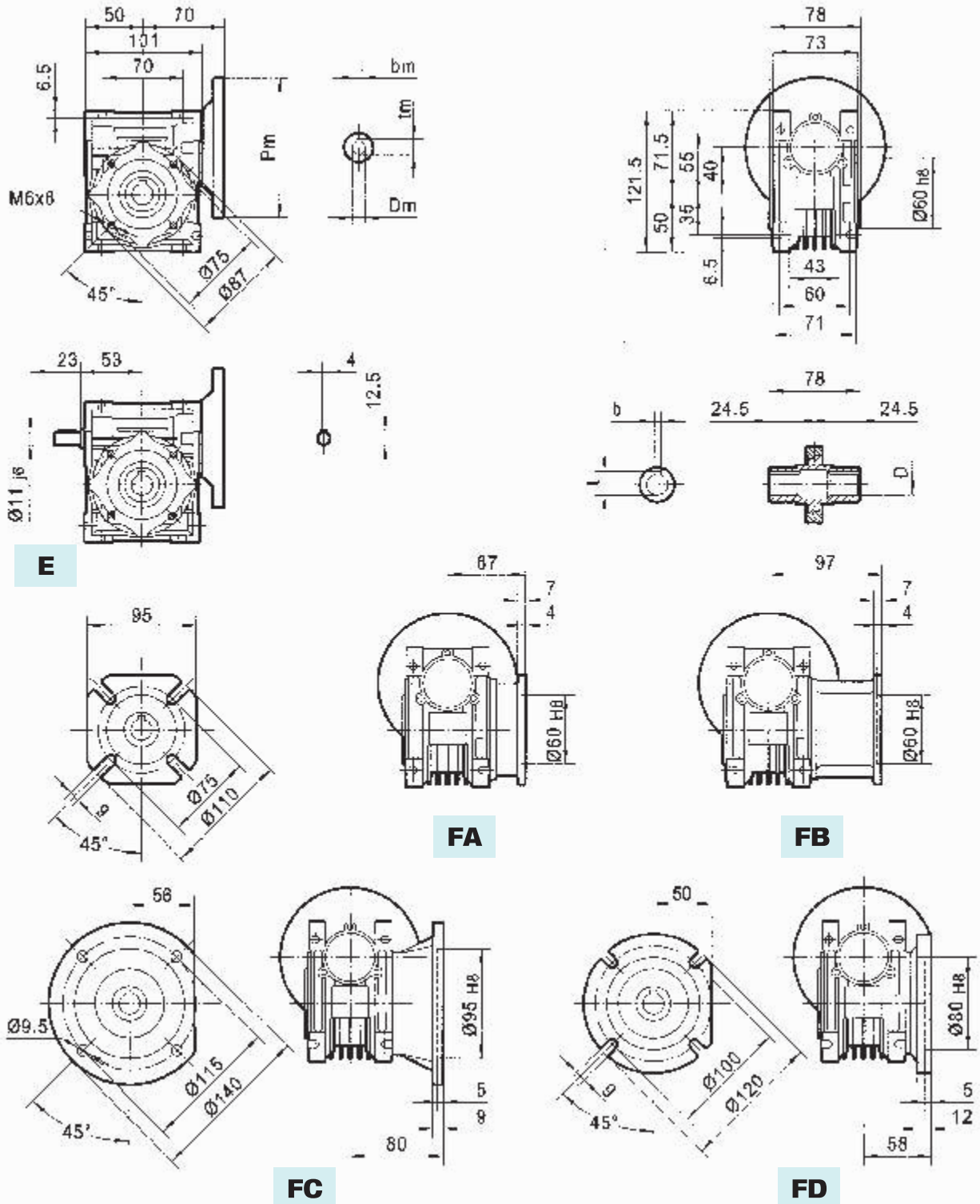


FA

Motor Frame	P <sub>m</sub>	D <sub>m</sub> E8	b <sub>m</sub>	t <sub>m</sub>
63B5	140	11	4	12.8
56B5	120	9	3	10.4
63B14	90	11	4	12.8
56B14	80	9	3	10.4

Weight without motor ≈ 1.2 kg

## ALM040



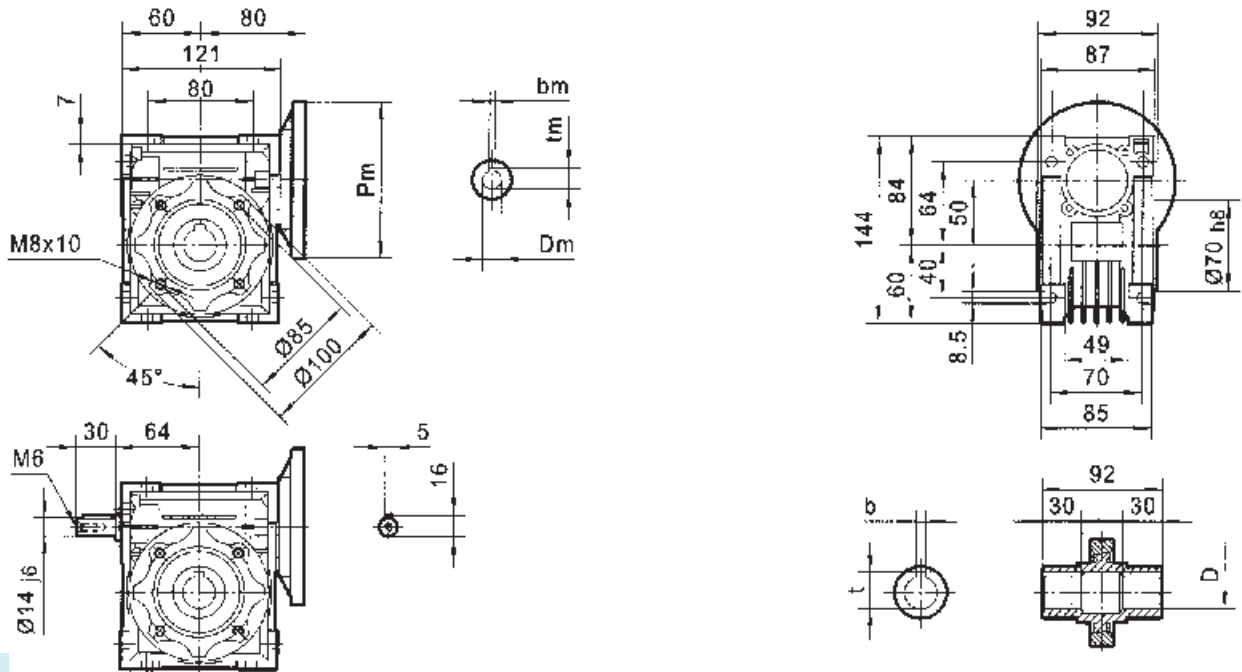
Motor Frame	P <sub>m</sub>	D <sub>m</sub> E8	b <sub>m</sub>	t <sub>m</sub>	D H8	b	t
71B5	160	14	5	16.3	18	6	20.8
63B5	140	11	4	12.8	19*	6*	21.8*
56B5	120	9	3	10.4	*Only on request		
71B14	105	14	5	16.3			
63B14	90	11	4	12.8			

Weight without motor ≈ 2.3 kg

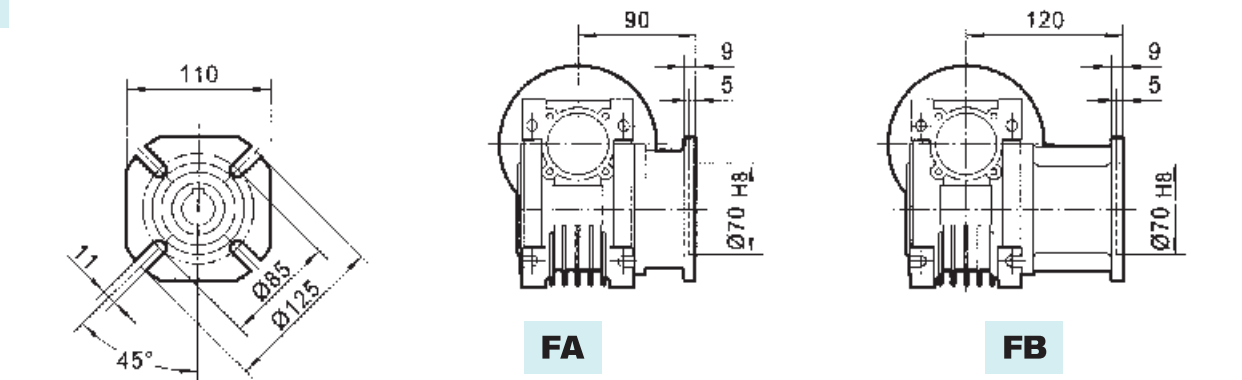


# OUTLINE DIMENSION SHEET

## ALM050

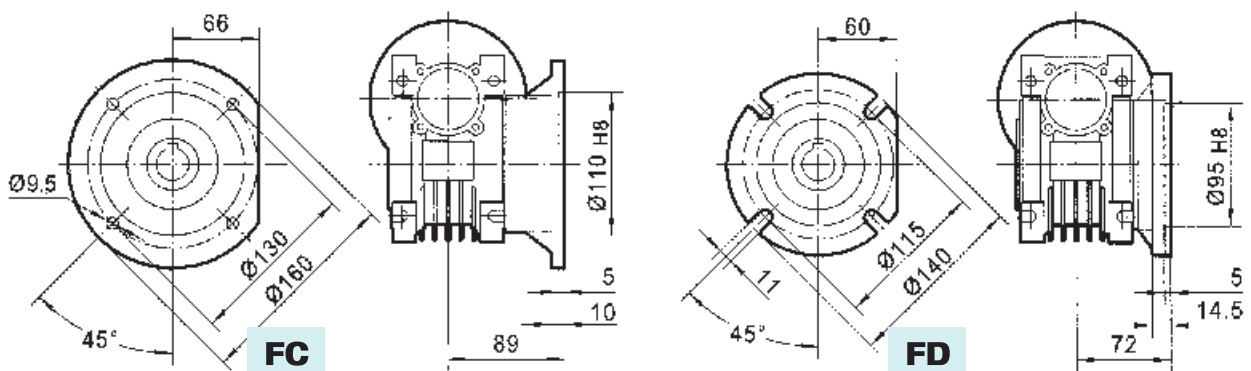


**E**



**FA**

**FB**



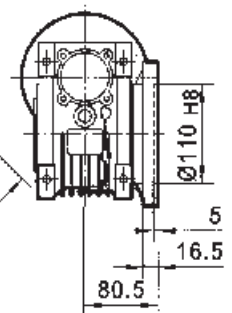
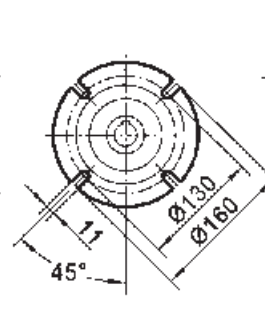
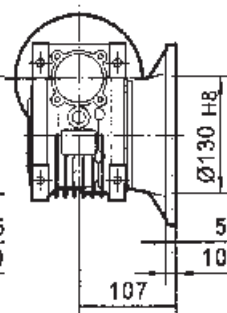
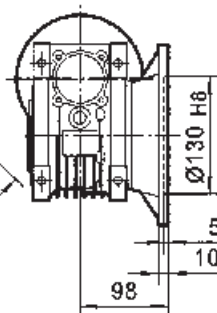
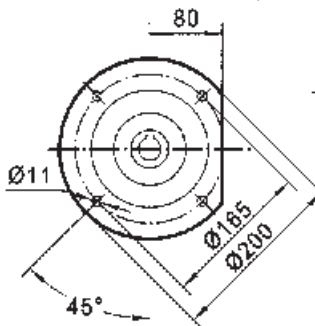
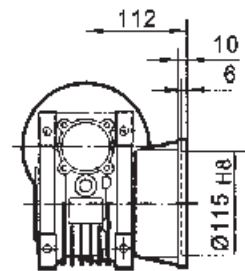
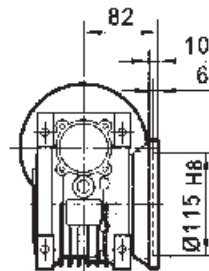
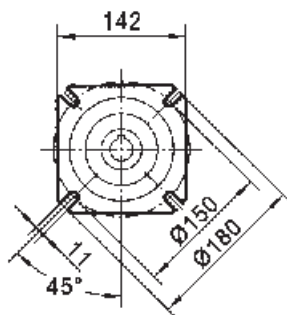
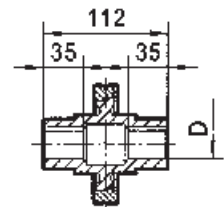
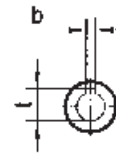
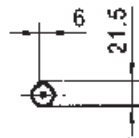
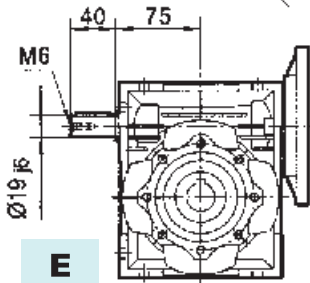
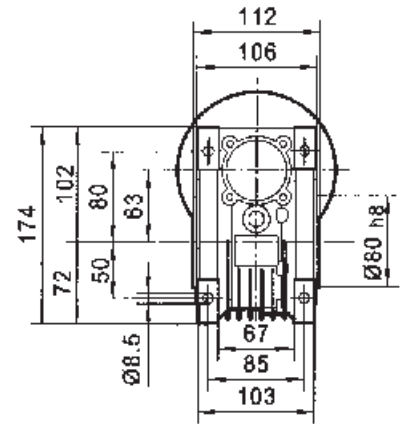
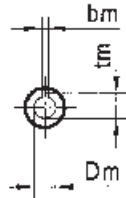
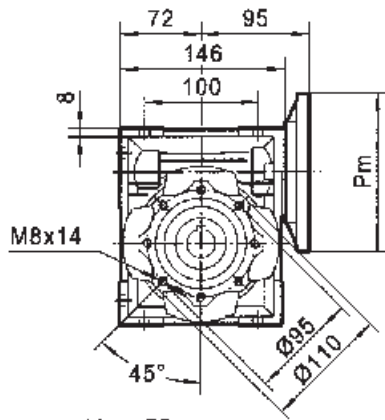
**FC**

**FD**

Motor Frame	P <sub>m</sub>	D <sub>m</sub> E8	b <sub>m</sub>	t <sub>m</sub>	D H8	b	t
80B5	200	19	6	21.8	25	8	28.3
71B5	160	14	5	16.3	24*	8*	27.3*
63B14	140	11	4	12.8	*Only on request		
80B14	120	19	6	21.8			
71B14	105	14	5	16.3			

Weight without motor ≈ 3.5 kg

## ALM063



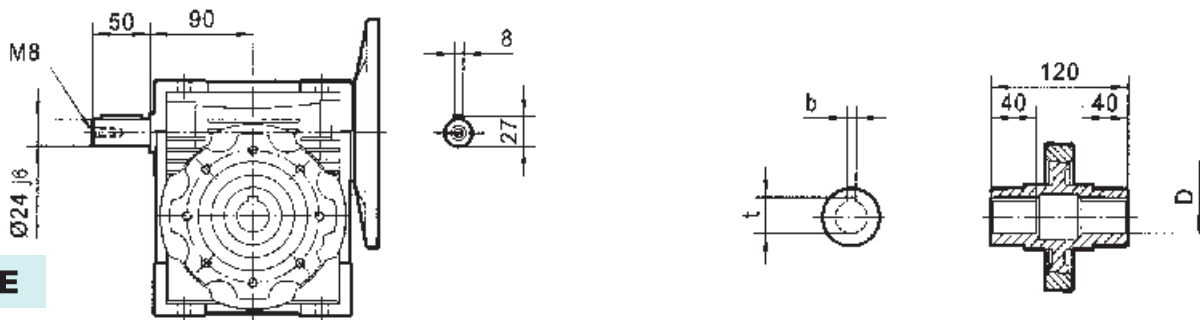
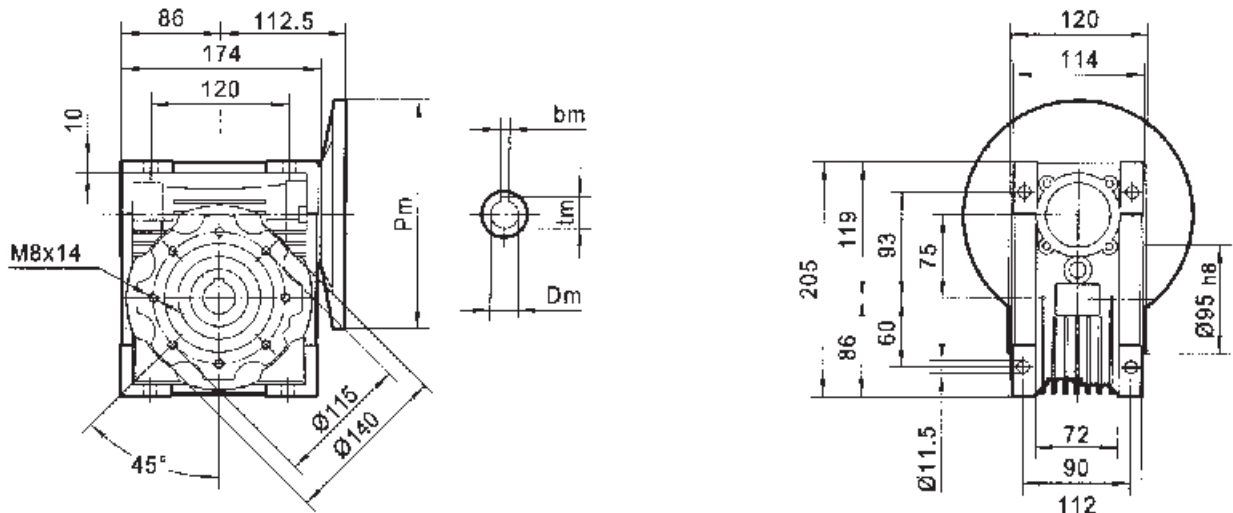
Motor Frame	P <sub>m</sub>	D <sub>m</sub> E8	b <sub>m</sub>	t <sub>m</sub>
90B5	200	24	8	27.3
80B5	200	19	6	21.8
71B5	160	14	5	16.3
90B14	140	24	8	27.3
80B14	120	19	6	21.8
71B14	105	14	5	16.3

D HB	b	t
25	8	28.3
28*	8*	31.3*
*Only on request		

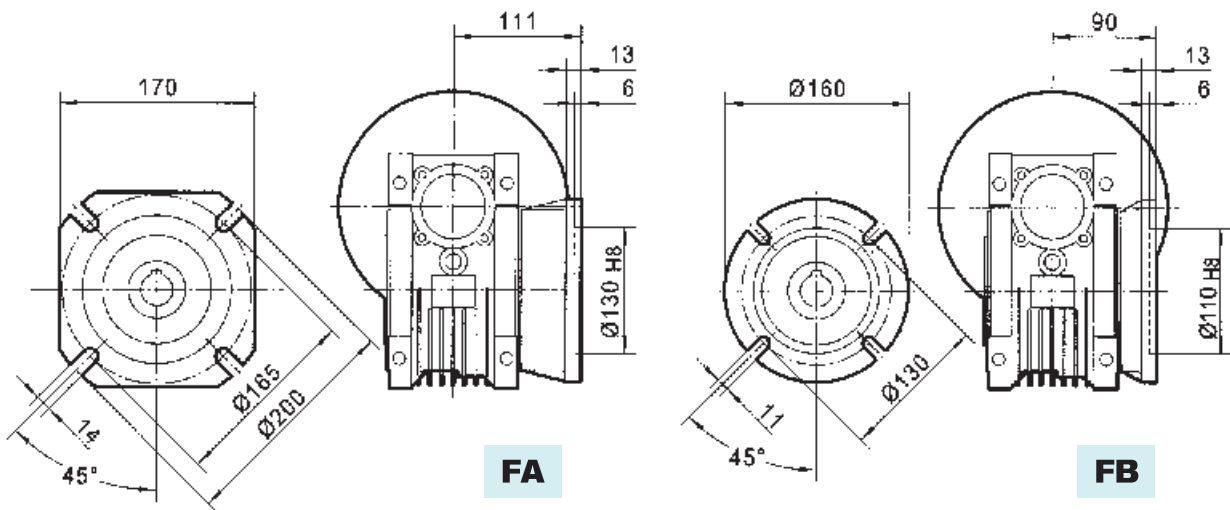
Weight without motor ≈ 6.2 kg

# OUTLINE DIMENSION SHEET

## ALM075



**E**



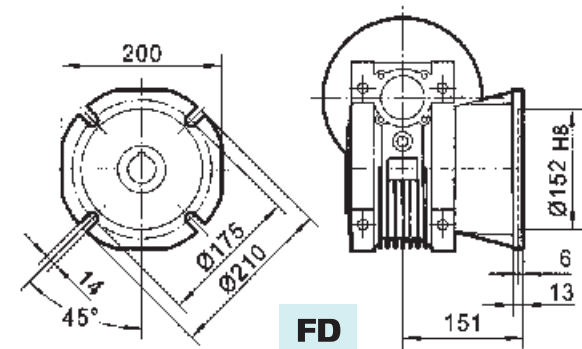
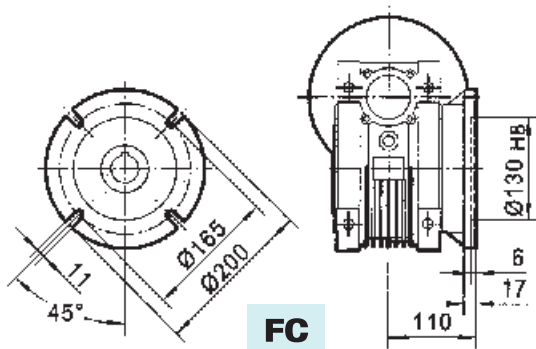
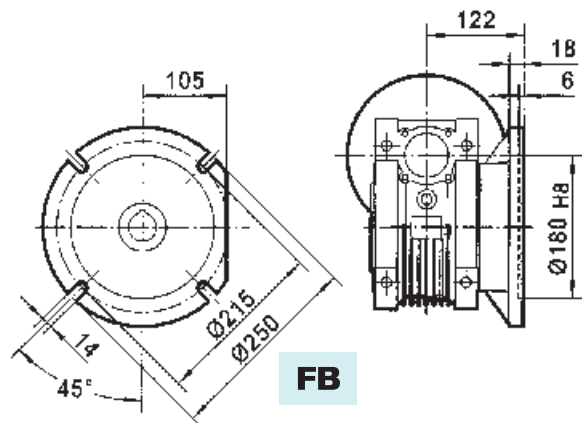
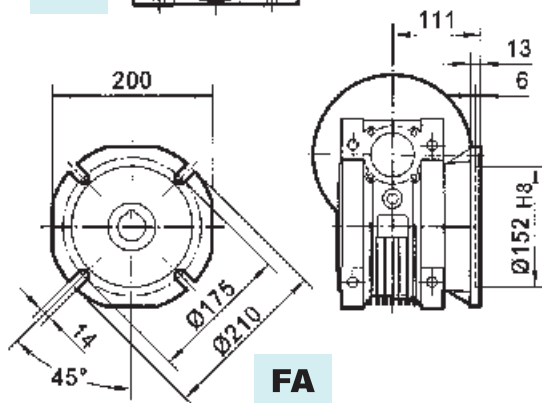
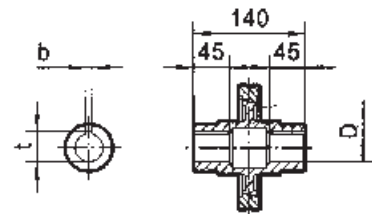
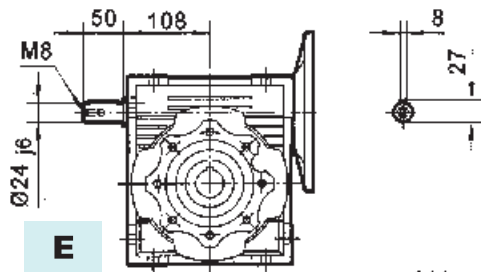
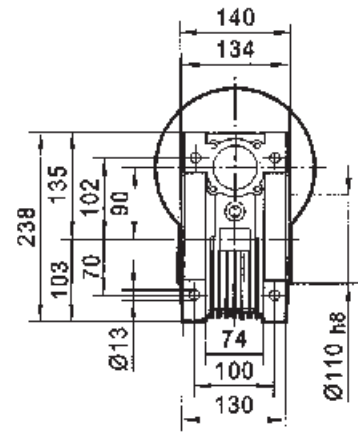
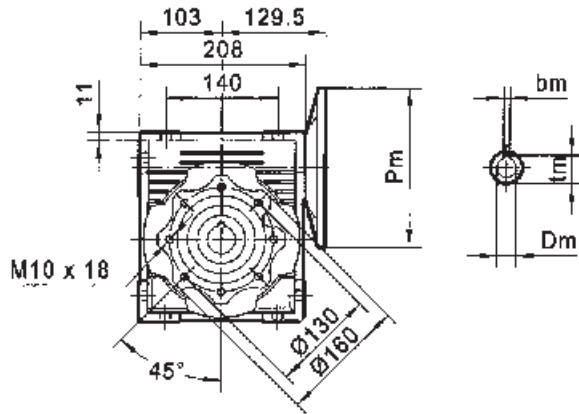
**FA**

**FB**

Motor Frame	P <sub>m</sub>	D <sub>m</sub> E8	b <sub>m</sub>	t <sub>m</sub>	D HB	b	t
100/112B5	250	28	8	31.3	28	8	31.3
90B5	200	24	8	27.3	35*	10*	38.3*
80B5	200	19	6	21.8	*Only on request		
71B5	160	14	5	16.3			
100/112B14	160	28	8	31.3			
90B14	140	24	8	27.3			
80B14	120	19	6	21.8			

Weight without motor ≈ 9 kg

## ALM090



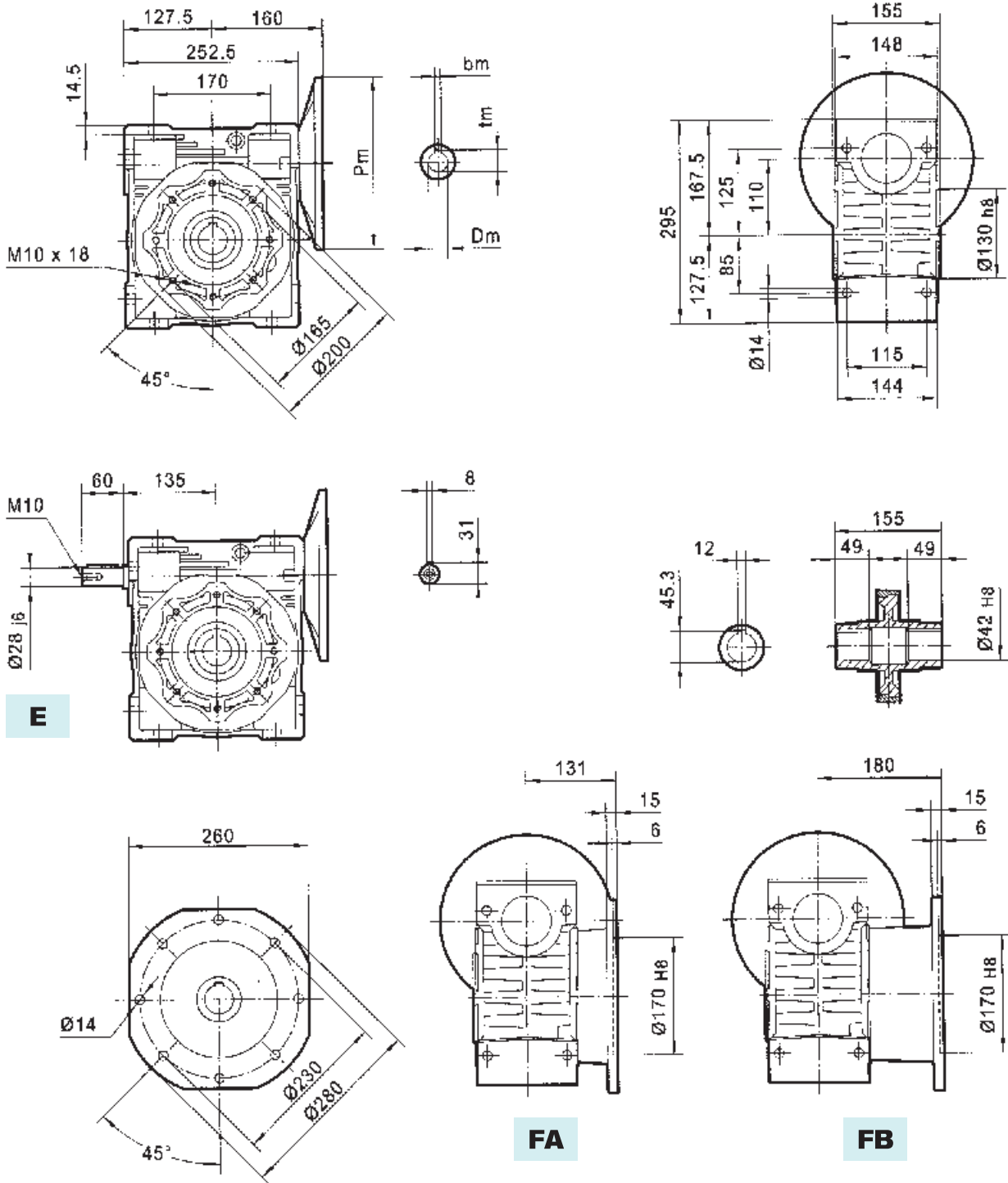
Motor Frame	P <sub>m</sub>	D <sub>m</sub> E8	b <sub>m</sub>	t <sub>m</sub>	D HB	b	t
100/112B5	250	28	8	31.3	35	10	38.3
90B5	200	24	8	27.3	38*	10*	41.3*
80B5	200	19	6	21.8	*Only on request		
100/112B14	160	28	8	31.3			
90B14	140	24	8	27.3			
80B14	120	19	6	21.8			

Weight without motor ≈ 13 kg



# OUTLINE DIMENSION SHEET

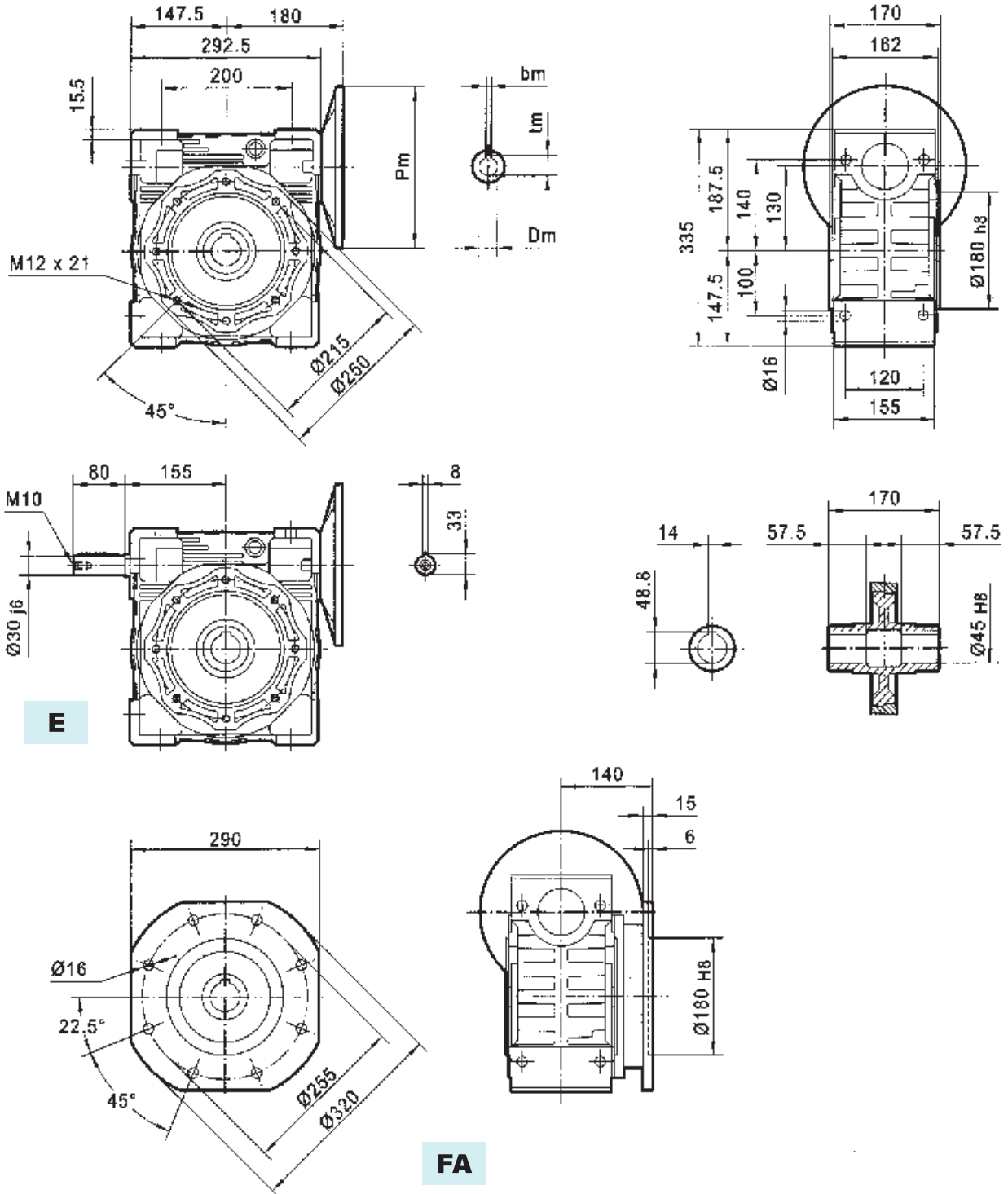
## ALM110



Motor Frame	P <sub>m</sub>	D <sub>m</sub> E8	b <sub>m</sub>	t <sub>m</sub>
132B5	300	38	10	41.3
112B5	250	28	8	31.3
100B5	250	28	8	31.3
90B5	200	24	8	27.3
80B5	200	19	6	21.8

Weight without motor ≈ 35 kg

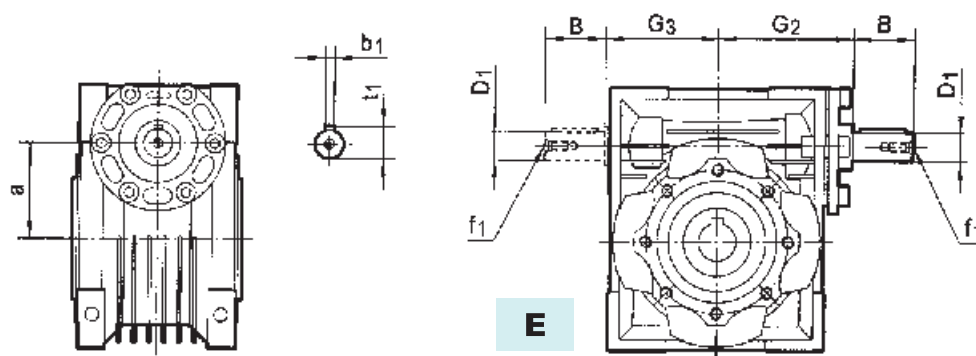
## ALM130



Motor Frame	$P_m$	$D_m$ E8	$b_m$	$t_m$
132B5	300	38	10	41.3
112B5	250	28	8	31.3
100B5	250	28	8	31.3
90B5	200	24	8	27.3

Weight without motor  $\approx$  48 kg

## WORM GEAR UNIT with Solid Input / Hollow Output Shaft



ALM	030	040	050	063	075	090	110	130
<b>B</b>	20	23	30	40	50	50	60	80
<b>D<sub>j</sub><sup>6</sup></b>	9	11	14	19	24	24	28	30
<b>G<sub>2</sub></b>	51	60	74	90	105	125	142	162
<b>G<sub>3</sub></b>	45	53	64	75	90	108	135	155
<b>a</b>	30	40	50	63	75	90	110	130
<b>b<sub>1</sub></b>	3	4	5	6	8	8	8	8
<b>f<sub>1</sub></b>	-	-	M6	M6	M8	M8	M10	M10
<b>t<sub>1</sub></b>	10.2	12.5	16	21.5	27	27	31	33



### Premium Energy Transmission Limited

**Head Office:** P. B. No.5, Chinchwad, Pune - 411019, India.

Tel.:(91-20) 66314100, 27475141 - 42, 27488947

Fax:(91-20) 27450287, 27472384. [www.premiumtransmission.com](http://www.premiumtransmission.com)

#### Manufacturing Units:

**Unit I :** P. B. No. 5, Chinchwad, Pune - 411 019 Ph. : (91-20) 66314100 Fax : (91-20) 27450287, 27472384 **Unit II :** Falta Industrial Growth Centre, Sector-III, Falta, 24 Parganas (South), West Bengal - 743504 Ph.: (91-3174) 222231 / 32 / 33 / 37 Fax : (91-3174) 222234 **Unit III :** G-56 / 57, MIDC Industrial Area, Chikhalthana, P. B. No. 779, Aurangabad - 431 210 Ph.: (91-240) 2485521, 2485856, 2485056 Fax : (91-240) 2485756 **Unit IV :** 31-P, MIDC Industrial Area, Chikhalthana, P. B. No. 779, Aurangabad - 431 210 Ph.: (91-240) 2485521, 2485856, 2485056 Fax : (91-240) 2482857.

#### Regional Offices:

**Mumbai :** Corporate Park II, 4th Floor, Sion Trombay Road, Chembur, Mumbai - 400 071. Ph.: (91-22) 25264750 - 763 Fax : (91-22) 25262622, 25264800 **New Delhi :** Express Building Annexe, 9-10, Bahadur Shah Zafar Marg, P. B. No. 7024, New Delhi - 110 002 Ph.:(91-11) 23730554 (8 Lines) Fax : (91-11) 23359782, 23357739 **Kolkata :** Thapar House, 25, Brabourne Road, P. B. No. 702, Kolkata - 700 001 Ph.:(91-33) 22423811, 22423805 Fax : (91-33) 22424325 **Chennai :** "Wavoo Mansion", 7th Floor, New No. 48 (Old No. 39) Rajaji Salai, Chennai - 600 001 Ph.:(91-44) 25255200, 25240142 Fax : (91-44) 25224557

#### Branch Offices:

**Ahmedabad :** 'Jaldarshan' Ashram Road, Navrangpura, Ahmedabad - 380 009 Ph.: (91-79) 26580428 / 0518 / 1856 / 1857 / 1861 Fax: (91-79) 26587783 **Bangalore :** 16/3, Ali Asker Road, P. B. No. 216, Off Cunningham Road, Bangalore - 560 052 Ph.: (91-80) 22262062, 22268773 Fax : (91-80) 22253472 **Hyderabad :** 6-2-47, A, C. Guards, 1st Floor, P. B. No. 9, Hyderabad - 500 004 ( 9 1 - 040) 23390544, 23314025, 23316446 Fax:(91-040) 23318557 **Kochi :** 39/5567, M. G. Road, Emakulam, Kochi - 682 015 Ph.: (91-484) 2359661, 2359372, 2359190 Fax : (91-484) 2359589

#### Representative Offices:

**Lucknow :** G-701, Halwasiya Utsav Enclave, Opposite HAL, Faizabad Road, Lucknow - 226 016 Ph.: (91-522) 4001344 Mobile : (0) 9793581144 **Coimbatore :** H, Gowtham Apartments, 114, Sengupta Street, Ramnagar, Coimbatore - 641 009 Ph.:(91-422) 2230255 Mobile : (0) 9814640863 **Bhopal :** 120, Aradhana Nagar, Kotra Sultanabad, Bhopal Mobile : (0) 9425009827 **Bilaspur :** House No. 14/1126, 1st Floor, 4th Lane, Krantinagar, Bilaspur, Chhatishgarh Mobile : (0) 9424153291 **Mohali :** House No. 33, 1st Floor, Phase - XI, SAS Nagar (Mohali), Punjab - 160062 Mobile : (0) 9814640863 **Baroda :** C-706, Nisarg Apts., Near J. P. Police Station, Old Padra Road, Diwalipura. Vadodara - 390015 Ph.: (91-265) 2321838 Mobile : (0) 9879588794 **Jamshedpur :** Flat No. 61A, First Floor, Rajendranagar Colony, Sakchee. Jamshedpur - 831001. Jharkhand Mobile : (0) 9771844408 **Rourkela :** A/72, Sector -13, Rourkela-769009, Orissa Mobile : (0) 9437122066

